

TVVW



Display size  
**46"-65"**



Max load  
**75lb (34kg)**

tru•vue™

# Full-Service Video Wall Mount

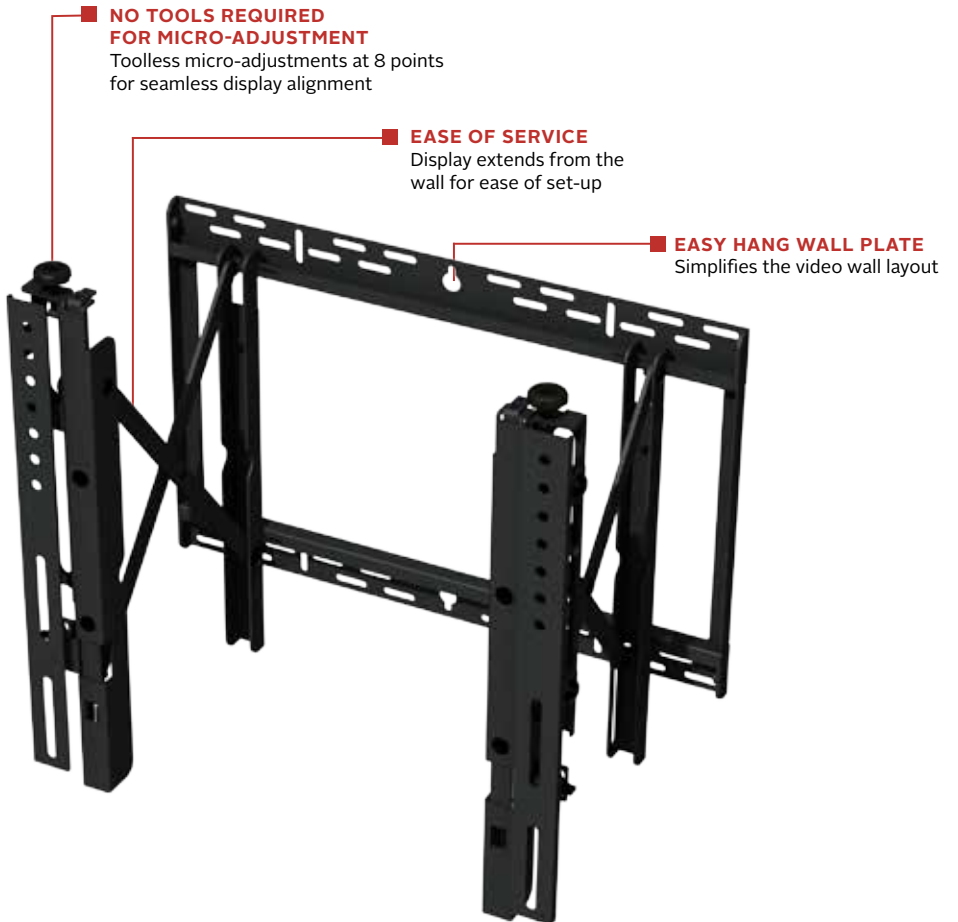
FOR 46" TO 65" DISPLAYS

This TruVue™ video wall mount combines ease of installation with amazing end results. With toolless micro-adjustment, the TVVW quickly aligns displays for seamless video wall configuration. The easy hang wall plate offers simple, one person wall layout, for a modular design with unlimited creative possibilities. Maintenance is made simple with the TVVW by extending the display from the wall and providing convenient access to the cable connections.

*The TVVW offers ease of installation and maintenance, saving you time and money on your video wall.*

## Additional Features

- ✓ Accommodates displays in landscape and portrait orientation
- ✓ Modular mount for unlimited video wall display configurations
- ✓ Integrated cable management tie-backs make display-to-display cabling simple
- ✓ VESA® 200 x 200 up to 400 x 400mm compliant. Accessory available for 600 x 400mm patterns.
- ✓ Security hardware option deters tapering and theft



RoHS

Please visit [peerless-av.com/en-us/patents](http://peerless-av.com/en-us/patents) for patent information.

[info@peerless-av.com](mailto:info@peerless-av.com)  
[peerless-av.com](http://peerless-av.com)

peerless-AV®

## Model Number

**WARRANTY: Limited 5-year**

**TVVW** TruVue™ Full-Service Video Wall Mount for 46"-65" Displays

## Product Specifications

	DIMENSIONS (W X H X D)	PRODUCT WEIGHT	LOAD CAPACITY	FINISH	AVAILABLE COLORS
<b>TVVW</b>	22.00" x 20.08" x 3.90" (559 x 510 x 99mm)	16.9lb (7.7kg)	75lb (34kg)	Textured	Black

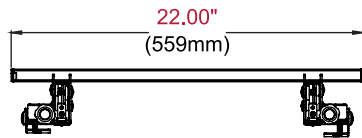
## Package Specifications

	PACKAGE SIZE (W x H x D)	PACKAGE SHIP WEIGHT	PACKAGE UPC CODE	PACKAGE CONTENTS	UNITS IN PACKAGE
<b>TVVW</b>	25.75" x 18.00" x 6.00" (654 x 457 x 152mm)	20.5lb (9.3kg)	735029308560	Wall plate, Mounting Attachment Rails, Fasteners	1

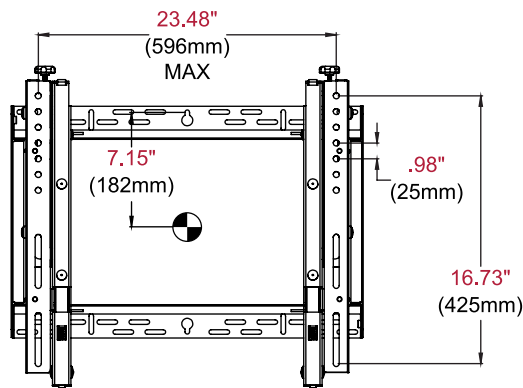
## Accessories

- ACC-V800X:** Adaptor for VESA® 600 x 400 and 800 x 400mm mounting patterns
- ACC-V600800:** Ultra Thin VESA® 600 x 400mm Adaptor
- ACC-DHK:** Display Handling Kit
- ACC-DHP6:** Display Handling Kit Replacement Pads - 6pk

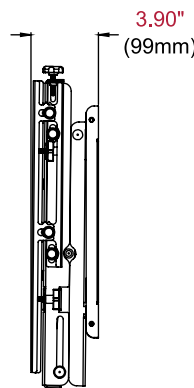
All dimensions = inch (mm)



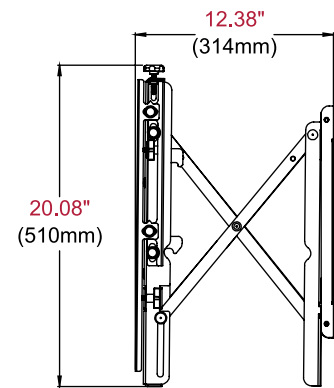
**TOP VIEW**



**FRONT VIEW**



**SIDE VIEW  
COLLAPSED**



**SIDE VIEW  
EXTENDED**

## Architect Specifications

The TruVue™ Full-Service Video Wall Mount shall be Peerless-AV model TVVW and shall be located where indicated on the plans. Assembly and installation shall be done according to instructions provided by the manufacturer.

Visit [peerless-av.com](http://peerless-av.com) to see the complete line of AV solutions from Peerless-AV, including outdoor displays, wireless, kiosks, digital audio, display mounts, projector mounts, carts/stands, and a full assortment of accessories.

**Peerless-AV**  
2300 White Oak Circle  
Aurora, IL 60502 USA  
**(800) 865-2112**  
**(630) 375-5100**  
**Fax: (800) 359-6500**

**Peerless-AV Europe**  
Unit 3 Watford Interchange  
Colonial Way, Watford  
Herts, WD24 4WP  
United Kingdom  
**+44 (0) 1923 200100**  
**Fax: +44 (0) 1923 200101**

**Peerless-AV de México**  
Ave de las Industrias 413  
Parque Industrial Escobedo  
Escobedo, N.L.,  
Mexico 66050  
**+52 (81) 8384-8300**  
**Fax: +52 (81) 8384-8360**

