

DS-C560-2X2



Display size  
**46"-60"**



Max load  
**500lb (227kg)**  
**125lb per display**

**SMARTMOUNT.**

# Portable Video Wall Cart 2x2 Configuration

FOR 46" TO 60" DISPLAYS

Peerless-AV takes video wall carts to a new level of innovation. Designed for modularity, this 2x2 video wall cart configuration allows the user to create a flawless video wall with screen ranges from 46" to 60" displays. This Modular Video Wall Cart offers an 8-point micro-adjustment to create a seamless alignment without the need of tools. With a five-inch lockable caster, the cart becomes secure for safe and easy movement over various flooring surfaces. Designed for a quick set-up and tear down, the cart features a quick-connect latch for adaptors, allowing automatic engagement with mounting rails. Media storage and cable management create a sleek appearance for any application setting. With an overall weight and shipping cost reduction, this Portable Video Wall Cart makes this the ultimate video wall cart solution.

## Additional Features

- ✓ Tool-less micro-adjustment at 8 points seamlessly align the displays
- ✓ Lockable 5" casters enable safe and easy maneuverability over various flooring surfaces
- ✓ Cable management through rear adjustable cable centralizing brackets
- ✓ Designed for quick set-up and tear down
- ✓ Adaptors feature a quick connect latch for automatic engagement with the mounting rails and ease of set-up
- ✓ Rear media storage shelf and cover stores components while maintaining a clean appearance
- ✓ Aluminum frame reduces the overall weight and shipping costs
- ✓ VESA® 200 x 200 up to 600 x 400mm compatible



**DS-C560-2X2** SmartMount® Portable Video Wall Cart 2x2 Configuration for 46" to 60" Displays

**Product Specifications**

	DIMENSIONS (W x H x D)	PRODUCT WEIGHT	LOAD CAPACITY	FINISH	AVAILABLE COLORS
<b>DS-C560-2X2</b>	80.79" x 81.14" x 36.10" (2052 x 2060 x 917mm)	163lb (74.1kg)	500lb (227kg) 125lb per display	Textured	Black

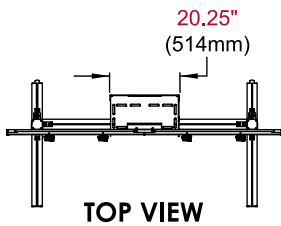
**Package Specifications**

	PACKAGE SIZE (W x H x D)	PACKAGE SHIP WEIGHT	PACKAGE UPC CODE	PACKAGE CONTENTS	UNITS IN PACKAGE
<b>DS-C560-2X2</b>	37.50" x 12.50" x 84.00" (953 x 318 x 2134mm)	185lb (84kg)	735029301516	Stand, casters, display adaptors and hardware	1

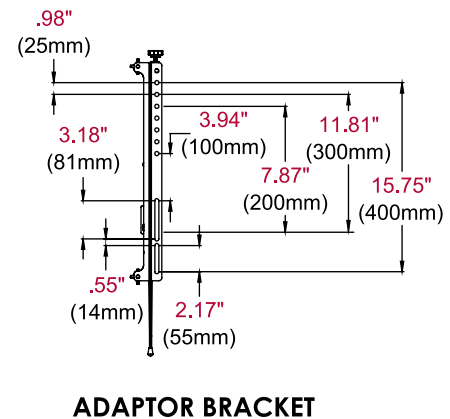
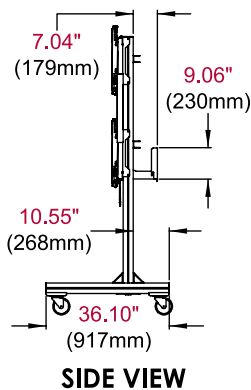
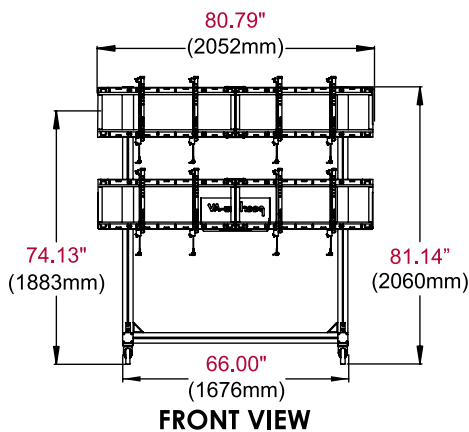
**Accessories**

- ACC-V800X:** Adaptor accessory for 600 x 400 and 800 x 400mm mounting patterns
- ACC310VWC4:** Video Wall Cart Accessory Feet - 4pk

All dimensions = inch (mm)



COMPATIBILITY FORMULA
Display height ≤ 36"
Display width + mount pattern width ≤ 80"



**Architect Specifications**

The Smartmount® Portable Video Wall Cart 2x2 Configuration shall be a Peerless-AV model DS-C560-2X2 and shall be located where indicated on the plans. Assembly and installation shall be done according to instructions provided by the manufacturer.

Visit [peerless-av.com](http://peerless-av.com) to see the complete line of AV solutions from Peerless-AV, including outdoor displays, wireless, kiosks, digital audio, display mounts, projector mounts, carts/stands, and a full assortment of accessories.

**Peerless-AV**  
2300 White Oak Circle  
Aurora, IL 60502 USA  
**(800) 865-2112**  
**(630) 375-5100**  
**Fax: (800) 359-6500**

**Peerless-AV Europe**  
Unit 3 Watford Interchange  
Colonial Way, Watford  
Herts, WD24 4WP  
United Kingdom  
**+44 (0) 1923 200100**  
**Fax: +44 (0) 1923 200101**

**Peerless-AV de México**  
Ave de las Industrias 413  
Parque Industrial Escobedo  
Escobedo, N.L.,  
Mexico 66050  
**+52 (81) 8384-8300**  
**Fax: +52 (81) 8384-8360**

