

MiniPoint Ethernet

The MiniPoint Ethernet is a zero client device, acting as a terminal for a shared resource system. It can connect to a Local Area Network (LAN), with no distance limitation. The MiniPoint Ethernet provides high definition video using either a VGA connection or mini HDMI. Developed exclusively for a multiplatform environment, the MiniPoint Ethernet offers a variety of diverse applications in a single device. Configuration is simple, and an entire system can be set up in a little over an hour, saving both time and money.

Always On:

The MiniPoint Ethernet provides a unique, "Always On" feature, when connected with a special, "jumper" cable. This feature is particularly beneficial when the device is mounted behind a monitor or display. When activated, the MiniPoint Ethernet powers up automatically, and the unit's power button is disabled.

USB Type B:

The MiniPoint Ethernet can also connect via a USB Type B connection. This connection is best utilized for docking stations, peripheral devices, and short distance multi terminal work due to the cable's limitation of 16 feet. When connected via USB type B, the Ethernet connection is disabled.

Status LED:

The LED indicator light shows when the MiniPoint USB's system is on, and waiting for either ethernet or USB type B connectivity. When operated in conjunction with the Useful interface, the LED performs as a signal light, blinking to indicate which device needs maintenance or assistance.

Applications for Deployment

Digital Signage:

Electronic Signage has become so commonplace that it's nearly invisible. Restaurants, Supermarkets, gas stations and others all take advantage of the brightly lit and easily adjusted displays. The MiniPoint Ethernet allows for up to 30 HD displays to be created, controlled, and maintained from a single station on-site, or from a remote networked location.

Multiterminal:

The MiniPoint Ethernet provides an excellent utility to easily manage a multiterminal operating system for schools, libraries, offices, and any other location with a need for access to multiple desktops. One PC can be used to provide up to 30 individual workstations with a mixture of Microsoft Windows, Linux, and Internet Browser access.

Video Wall:

Using a similar digital framework as the multi terminal application, one PC acting as a "server" can provide up to 25 monitors with full 4k HD video. The "Always On" feature provides a uniquely easy to use system, that can be monitored and controlled from a single station on-site, or from a remote networked location.



MiniPoint Ethernet

Applications

- Zero Client
- Thin Client
- RDP Station
- Remote FX Station
- Citrix Station ICA
- VmWare Station

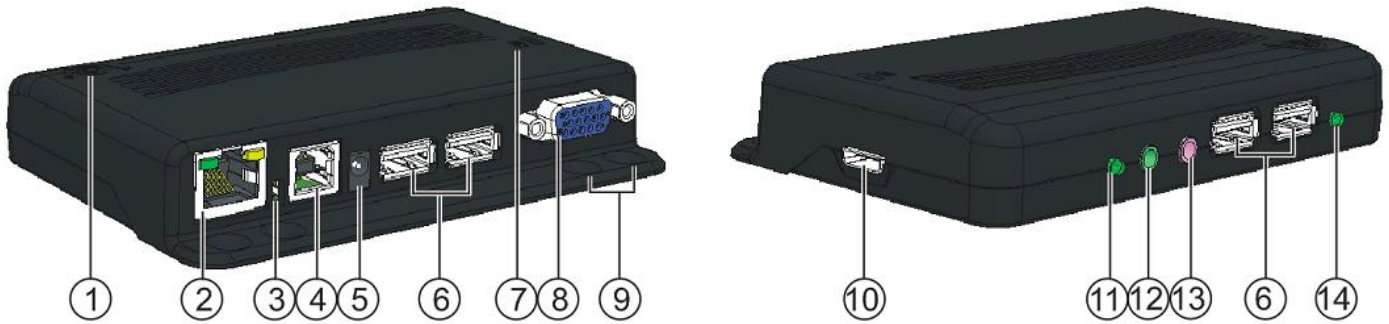
- Work Station
- Digital Media
- Digital Signage
- Video Wall
- Media Center
- USB Hub

Operating Systems

- Useful Multiplatform 7
- Useful Multiplatform Network Video Wall 7
- MS-Windows 7
- MS-Windows 8
- MS-Windows Multipoint Server 2011
- MS-Windows Multipoint Server 2012

Weight	100g (0.22 lbs)
Pkg Total Weight	250g (0.55 lbs)
Dimensions	120 x 22 x 82 mm
Pkg Dimension	230 x 40 x 150 mm
Power Source	Input: AC 100-240v ~ 50-60Hz Output:DC 5V 2A
Electric Power Consumption	2.4W
Anamorphic Resolution	1920 x 1080 (full HD)
Full Screen Resolution	1600 x 1200
ChipSet	C6037 Chipset
Audio	Microphone output green type PC 200 Headphone/ speaker input pink type PC 2001 44kHz sample rate DAC 16-Bit high performance Digital Audio via Mini HDMI optional
Video	1 VGA HD15 1 Mini HDMI HDMI compatible with DVI 1.0 (adaptor required) HDMI as VI.3 spec. RAM 32MB Compatible with VESA Wall Mount Supports Monitor Extension or Duplication Up to 2048x1152 (QWXGA) with 32-bit
LAN	10/100/1000 Base T (Gigabit Ethernet) Compatible with IEEE 802.3 RJ-45 Connection Auto Cross Holds half/full Duplex
Case Material	ABS high resistance plastic
Color	Matte Black
Mounting	VESA 75 and 100
USB	Hi-Speed USB 2.0 2 Front USB ports 2 Rear USB ports
Accessories	Power Adapter VESA mounting screws
Optimal Operating Temperature Range	41°F - 113°F
Optimal Humidity	up to 93% (non-condensing)
Warranty	2 years
MTBF (Mean Time Between Failure)	155,000 hours
PoE (Power over Ethernet)	optional
*NEW PoUSB (Power over USB)	optional cable

MiniPoint Ethernet



Interfaces

- | | |
|-------------------------------|----------------------|
| 1. On and Off Button | 8. VGA Port |
| 2. Ethernet Connection | 9. VESA 75 and 100 |
| 3. Jumper Connection | 10. Mini HDMI Port |
| 4. USB type B | 11. LED Status Light |
| 5. Power Connection | 12. Audio Output |
| 6. 2 USB type A | 13. Audio Input |
| 7. Anti-theft Kensington Slot | 14. Power LED |

