

RX-HDX for Citrix

HDX Optimized Thin Clients for Enterprises

RX-HDX Features

- Optimized for HDX
- Citrix Ready HDX Verified
- Resolution up to 1920x1200 full-motion HD video playback on primary display
- Optional secondary display with full-motion HD support (1920 x 1080)
- Integrated enterprise level device management
- Skype for Business optimization with RTME support (Q4)
- 4 USB 2.0 high-speed ports with transparent USB redirection
- Smart Card Support
- Built-in 802.11 b/g/n Wi-Fi
- 802.1x (PEAP, EAP-TLS, EAP-TTLS) support
- 8GB internal Micro SD card and 1GB RAM
- Built-in Kensington security slot and sealed micro SD card for added protection
- Less than 5W power consumption
- Sleep mode for additional power savings

Optional Features

- NComputing Secondary Display Adapter (based on Pi Zero with HDMI interface)



- Zero footprint VESA mount

The RX-HDX thin client is built based on the latest Raspberry Pi 3 with fully optimized Citrix HDX Ready integration for compelling performance. With integrated enterprise-grade Device Management Software, built-in Ethernet & WiFi, and optional dual monitor support, the RX-HDX delivers a high-performance and purpose-built desktop virtualization solution for Citrix enterprise customers.

For organizations looking to broaden their commitments to Citrix XenDesktop or XenApp, the new NComputing RX-HDX thin clients for Citrix HDX deliver 100% of the HDX experience at a fraction of the cost of PCs or other thin clients.

Optimized for Citrix HDX

Powered by the latest Raspberry Pi 3 platform with quadcore Broadcom 2837 SoC, RX-HDX provides the full HD multimedia capabilities demanded by knowledge workers and in other demanding environments using less than 5 watts of power.

The RX-HDX thin client incorporates full client-side rendering for efficient playback of video content, and uses server-side rendering for flash video playback with resolutions up to 1920x1200.

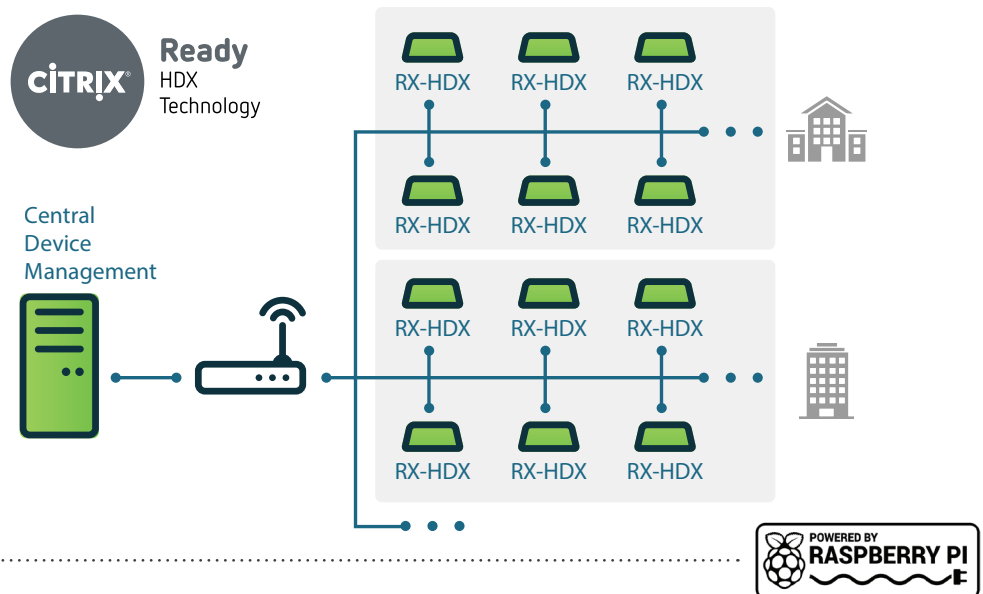


Integrated Enterprise-Level Central Device Management

The RX-HDX integrates NComputing's comprehensive Device Management Software, developed specifically with enterprise customers in mind, providing them with a highly scalable, flexible and easy-to-use single management point for RX-HDX devices.

Managing up to 50,000 devices with a single virtual appliance instance, the Device Management Software helps organize deployments in single or multiple sites and simplifies management tasks remotely including firmware updates, configuration changes, device resets and more.

With full manageability support at a low cost, enterprise organizations can now cost-effectively extend their Citrix deployments to more users, allowing them to gain fuller access to many benefits of desktop virtualization.





Tested and validated with all major HDX offerings including:

- **XenDesktop versions:**
5.6, 7.1 (Server and Desktop OS VDA), 7.5, 7.6, 7.7, 7.8, 7.9, 7.11, 7.12 and 7.13* (Desktop OS VDA).
- **XenApp versions:**
6.5, 7.5, 7.6, 7.7, 7.8, 7.9, 7.11, 7.12 and 7.13* (Server OS VDA)
- **StoreFront:**
2.6, 3.0, 3.6 and 3.8 (including connections through NetScaler Gateway)
- **Web Interface:**
5.4*

* required for Dual Display support

RX-HDX Connections

1. Power in (5V micro USB)
2. HDMI video output
3. Speaker jack: 16bit/44kHz/Stereo high quality audio
4. 10/100 Mbps Ethernet RJ45 port
5. 4 High-Speed USB 2.0 ports with full USB redirection support (2 required for mouse and keyboard)
6. Kensington security port
7. Sleep mode button disables display output for power saving mode (on top)

DUAL MONITOR DISPLAY CAPABILITY

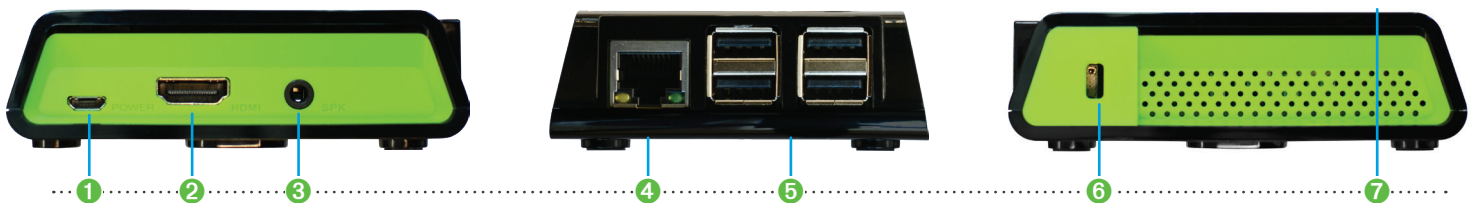
With innovative secondary display capability via an optional *NComputing* Secondary Display Adaptor (HDMI interface), there is added screen real estate for increased productivity with true HD content display & playback support (1920x1080).

BROAD USB PERIPHERAL SUPPORT

RX-HDX allows transparent redirection of USB peripheral devices including mass storage, printers, scanners, smart card readers, headsets or speakers, webcams, COM ports, and 3D mice in addition to the standard keyboard and mouse. Besides USB also network-connected printers can be redirected to Citrix sessions.

HARDWARE	DESCRIPTION
KIT CONTENTS	Each RX-HDX kit includes 1 access device, 1 power supply, 1 internal 8GB SD card and a Quick Installation Guide.
SIZE	Width: 76 mm / 3 inches, Depth: 93 mm / 3.7 inches, Height : 30 mm /1.2 inches
WEIGHT	92g / 0.21 lbs Shipping weight (includes power adapter, packaging, document): 0.31kg / 0.7 lbs
POWER SUPPLY	5.1VDC (2.5A) power supply included
POWER CONSUMPTION	5W max (independent of external USB devices)
LED INDICATORS	Power, network link, and network activity
DISPLAY	HDMI video output supporting resolutions up to 1920 x 1200 with DDC support. Secondary display via optional <i>NComputing</i> Secondary Display Adaptor (HDMI Adapter)
VIDEO	<ul style="list-style-type: none"> • Full HD 1080P with H.264 support (client-side rendering with hardware acceleration) • Full HD Flash video 1080P support (server-side rendering)
SOC	Broadcom BCM2837, 1.2GHz 64bit Quad Core Cortex A53 Dual core VideoCore IV, Multimedia Processor
MEMORY	<ul style="list-style-type: none"> • Mass storage: 8 GB internal Micro SD card • RAM: 1GB
MONITOR POWER-SAVE	Sleep mode button to turn off display output for power saving mode
NETWORK AND CONNECTIVITY	<ul style="list-style-type: none"> • 10/100 Ethernet RJ45 port • Wi-Fi (2.4 GHz 802.11 b/g/n) • 802.1x (PEAP, EAP-TLS, EAP-TTLS) support • Bluetooth 4.1
AUDIO	16-bit/44kHz/Stereo high quality digital audio with support for USB2.0 audio devices or via 3.5mm stereo audio jacks for headphone
PERIPHERAL SUPPORT	4 USB 2.0 high-speed ports with transparent USB redirection
WARRANTY	1 year hardware warranty included; Optional extended hardware warranty available
MOUNT OPTIONS	VESA mount compatible (not included)

RX-series products are RoHS compliant and have been EMI certified according to FCC, CE, BIS and KC standards.



Need more info?
We'd love to talk to you about your project. [Click here.](#)

1875 South Grant Street, Suite 570 | San Mateo, CA 94402 | 1.650.409.5959 | info@ncomputing.com | www.ncomputing.com

© Copyright 2017 NComputing Co., Ltd. NComputing® and vSpace® are internationally registered trademarks by NComputing. Copyright © 2003 – 2017. The product could differ from the images shown. The information contained herein is subject to change without notice. Specific features may vary from model to model. The only support and warranties for NComputing products and services are set forth in the express support and warranty statements accompanying such products and services. Nothing herein should be construed as constituting an additional warranty. NComputing shall not be liable for technical or editorial errors or omissions.